



Product availability: Non-Stock - Not normally stocked in distribution facility

Price\*: 519.00 USD



### Main

Range of Product	Modicon M241
Product or Component Type	Logic controller
[Us] rated supply voltage	24 V DC
Discrete input number	24, discrete input 8 fast input IEC 61131-2 Type 1
Discrete output type	Transistor
Discrete output number	16 transistor 4 fast output
Discrete output voltage	24 V DC transistor output
Discrete output current	0.1 A fast output (PTO mode) Q0...Q3) 0.5 A transistor output Q0...Q15)

### Complementary

Discrete I/O number	40
Maximum number of I/O expansion module	7 local 14 remote
Supply voltage limits	20.4...28.8 V
Inrush current	50 A
Power consumption in W	32.6...40.4 W with max number of I/O expansion module)
Discrete input logic	Sink or source
Discrete input voltage	24 V
Discrete input voltage type	DC
Voltage state 1 guaranteed	>= 15 V for input
Voltage state 0 guaranteed	<= 5 V for input
Discrete input current	10.7 MA fast input 7 MA input
Input impedance	4.7 kOhm input 2.81 kOhm fast input

Response time	<= 2 $\mu$ s turn-on, I0...I7 fast input <= 2 $\mu$ s turn-off, I0...I7 fast input <= 2 $\mu$ s turn-on, Q0...Q3 fast output <= 2 $\mu$ s turn-off, Q0...Q3 fast output 50 $\mu$ s turn-on, I0...I15 input 50 $\mu$ s turn-off, I0...I15 input <= 34 $\mu$ s turn-on, Q0...Q15 output <= 250 $\mu$ s turn-off, Q0...Q15 output
Configurable filtering time	1 $\mu$ s fast input 12 ms fast input 0 ms for input 1 ms input 4 ms input 12 ms for input
Discrete output logic	Positive logic (source)
Output voltage limits	30 V DC
Maximum current per output common	2 A
Maximum output frequency	20 KHz fast output (PWM mode) 100 KHz fast output (PLS mode) 1 KHz output
Accuracy	+/- 0.1 % 0.02...0.1 kHz fast output +/- 1 % 0.1...1 kHz fast output
Maximum leakage current	5 MA output
Maximum voltage drop	<1 V
Maximum tungsten load	<2.4 W
Protection type	Short-circuit protection Short-circuit and overload protection with automatic reset Reverse polarity protection fast output
Reset time	10 Ms automatic reset output 12 S automatic reset fast output
Memory capacity	8 MB program 64 MB system memory RAM
Data backed up	128 MB built-in flash memory backup of user programs
Data storage equipment	<= 16 GB SD card optional)
Battery type	BR2032 lithium non-rechargeable 4 year(s)
Backup time	2 years 77 °F (25 °C)
Execution time for 1 KInstruction	0.3 Ms event and periodic task 0.7 Ms other instruction
Application structure	8 event tasks 8 external event tasks 4 cyclic master tasks 3 cyclic master tasks + 1 freewheeling task
Realtime clock	With
Clock drift	<= 60 s/month 77 °F (25 °C)
Positioning functions	PTO 4 100 kHz) PTO 4 transistor output 1 kHz)
Counting input number	4 fast input (HSC mode) 200 kHz 16 standard input 1 kHz
Control signal type	A/B 100 kHz fast input (HSC mode) Pulse/Direction 200 kHz fast input (HSC mode) Single phase 200 kHz fast input (HSC mode)
Integrated connection type	Non isolated serial link serial 1 RJ45 RS232/RS485 Non isolated serial link serial 2 removable screw terminal block RS485 USB port with mini B USB 2.0 connector
Supply	Serial 1)serial link supply 5 V, <200 mA
Transmission rate	1.2...115.2 kbit/s (115.2 kbit/s by default) 49.21 ft (15 m) RS485 1.2...115.2 kbit/s (115.2 kbit/s by default) 9.84 ft (3 m) RS232 480 Mbit/s 9.84 ft (3 m) USB
Communication port protocol	Non isolated serial link Modbus master/slave

Local signalling	<p>1 LED (green) for PWR  1 LED (green) for RUN  1 LED (red) for module error (ERR)  For I/O error (I/O) 1 LED (red)  1 LED (green) for SD card access (SD)  1 LED (red) for BAT  1 LED (green) for SL1  For SL2 1 LED (green)  For bus fault on TM4 (TM4) 1 LED (red)  1 LED per channel (green) for I/O state</p>
Electrical connection	Removable screw terminal block for inputs and outputs pitch 5.08 mm) removable screw terminal block for connecting the 24 V DC power supply pitch 5.08 mm)
Maximum cable distance between devices	<p>Unshielded cable: &lt;50 m for input  Shielded cable: &lt;10 m for fast input  Unshielded cable &lt;164.04 ft (50 m) output  Shielded cable &lt;9.84 ft (3 m) fast output</p>
Insulation	<p>Between supply and internal logic 500 V AC  Non-insulated between supply and ground  Between input and internal logic 500 V AC  Non-insulated between inputs  Between fast input and internal logic 500 V AC  Between output and internal logic 500 V AC  Non-insulated between outputs  Between fast output and internal logic 500 V AC  Between output groups 500 V AC</p>
Marking	CE
Surge withstand	<p>1 KV power lines (DC) common mode EN/IEC 61000-4-5  1 KV shielded cable common mode EN/IEC 61000-4-5  0.5 KV power lines (DC) differential mode EN/IEC 61000-4-5  1 KV relay output differential mode EN/IEC 61000-4-5  1 KV input common mode EN/IEC 61000-4-5  1 KV transistor output common mode EN/IEC 61000-4-5</p>
Mounting support	<p>Top hat type TH35-15 rail conforming to IEC 60715  Top hat type TH35-7.5 rail conforming to IEC 60715  plate or panel with fixing kit</p>
Maximum Height	3.54 In (90 mm)
Maximum Depth	3.74 In (95 mm)
Maximum Width	7.48 In (190 mm)
Net Weight	1.37 Lb(US) (0.62 kg)

## Environment

Standards	<p>ANSI/ISA 12-12-01  CSA C22.2 No 142  CSA C22.2 No 213  EN/IEC 61131-2:2007  Marine specification (LR, ABS, DNV, GL)  UL 1604  UL 508</p>
Product Certifications	<p>RCM  CULus  IACS E10  CSA</p>
Resistance to electrostatic discharge	<p>8 KV in air EN/IEC 61000-4-2  4 KV on contact EN/IEC 61000-4-2</p>
Resistance to electromagnetic fields	<p>9.14 V/M (10 V/m) 80 MHz...1 GHz EN/IEC 61000-4-3  2.74 V/M (3 V/m) 1.4 GHz...2 GHz EN/IEC 61000-4-3  0.91 V/M (1 V/m) 2 GHz...3 GHz EN/IEC 61000-4-3</p>
Resistance to fast transients	<p>2 KV EN/IEC 61000-4-4 power lines)  1 KV EN/IEC 61000-4-4 serial link)  1 KV EN/IEC 61000-4-4 input)  1 KV EN/IEC 61000-4-4 transistor output)</p>
Resistance to conducted disturbances	<p>10 V 0.15...80 MHz EN/IEC 61000-4-6  3 V 0.1...80 MHz Marine specification (LR, ABS, DNV, GL)  10 V spot frequency (2, 3, 4, 6.2, 8.2, 12.6, 16.5, 18.8, 22, 25 MHz) Marine specification (LR, ABS, DNV, GL)</p>

Electromagnetic emission	Conducted emissions 120...69 dB $\mu$ V/m QP power lines)10...150 kHz EN/IEC 55011 Conducted emissions 63 dB $\mu$ V/m QP power lines)1.5...30 MHz EN/IEC 55011 Radiated emissions 40 dB $\mu$ V/m QP class A30...230 MHz EN/IEC 55011 Conducted emissions 79...63 dB $\mu$ V/m QP power lines)150...1500 kHz EN/IEC 55011 Radiated emissions 47 dB $\mu$ V/m QP class A230...1000 MHz EN/IEC 55011
Immunity to microbreaks	10 Ms
Ambient air temperature for operation	14...122 °F (-10...50 °C) vertical installation) 14...131 °F (-10...55 °C) horizontal installation)
Ambient Air Temperature for Storage	-13...158 °F (-25...70 °C)
Relative humidity	10...95 %, without condensation in operation) 10...95 %, without condensation in storage)
IP degree of protection	IP20 with protective cover in place
Pollution degree	2
Operating altitude	0...6561.68 ft (0...2000 m)
Storage altitude	0.00...9842.52 Ft (0...3000 m)
Vibration resistance	3.5 mm 5...8.4 Hz symmetrical rail 3 gn 8.4...150 Hz symmetrical rail 3.5 mm 5...8.4 Hz panel mounting 3 gn 8.4...150 Hz panel mounting
Shock resistance	15 gn 11 ms

### Ordering and shipping details

Category	22533 - M2XX PLC & ACCESSORIES
Discount Schedule	MSX
GTIN	0360648061186
Nbr. of units in pkg.	1
Package weight(Lbs)	26.81 Oz (760 g)
Returnability	No
Country of origin	ID

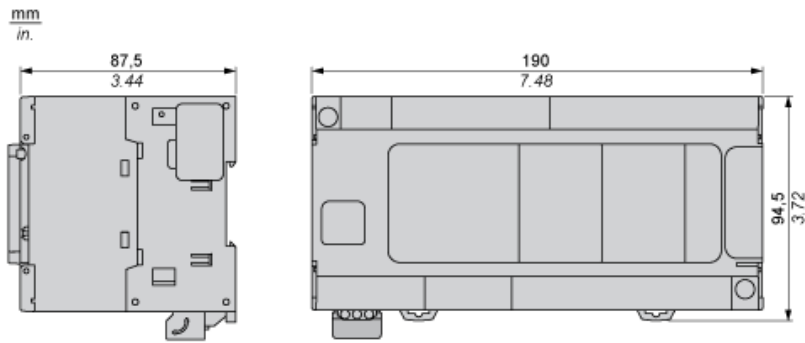
### Packing Units

Unit Type of Package 1	PCE
Package 1 Height	4.53 In (11.5 cm)
Package 1 width	5.16 In (13.094 cm)
Package 1 Length	9.03 In (22.928 cm)

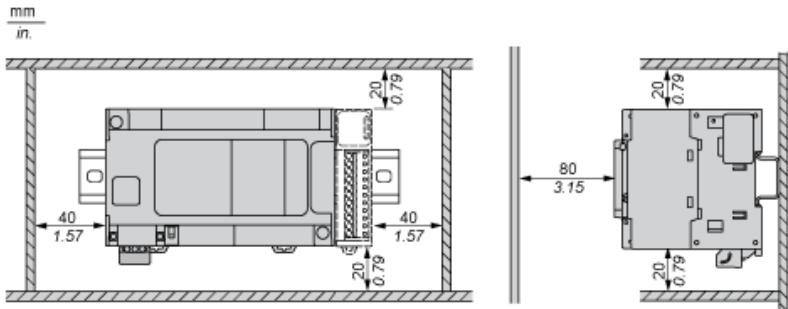
### Offer Sustainability

Sustainable offer status	Green Premium product
California proposition 65	WARNING: This product can expose you to chemicals including: Lead and lead compounds, which is known to the State of California to cause cancer and birth defects or other reproductive harm. For more information go to <a href="http://www.P65Warnings.ca.gov">www.P65Warnings.ca.gov</a>
REACH Regulation	<a href="#">REACH Declaration</a>
EU RoHS Directive	Pro-active compliance (Product out of EU RoHS legal scope) <a href="#">EU RoHS Declaration</a>
Mercury free	Yes
RoHS exemption information	<a href="#">Yes</a>
China RoHS Regulation	<a href="#">China RoHS Declaration</a>
Environmental Disclosure	<a href="#">Product Environmental Profile</a>
Circularity Profile	<a href="#">End Of Life Information</a>
WEEE	The product must be disposed on European Union markets following specific waste collection and never end up in rubbish bins.
PVC free	Yes

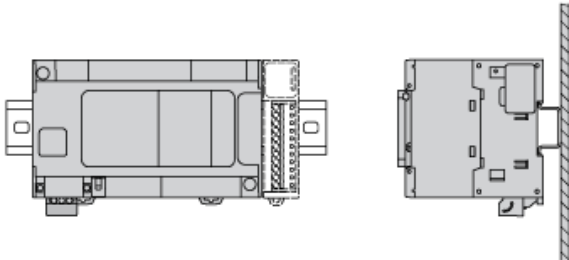
Dimensions



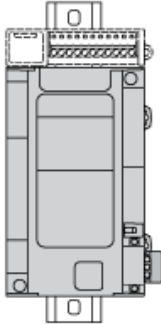
Clearance



Mounting Position

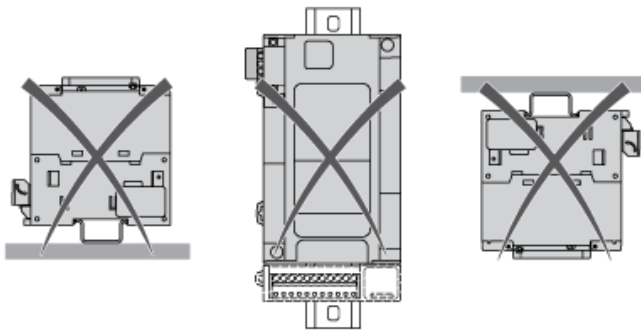


Acceptable Mounting



NOTE: Expansion modules must be mounted above the logic controller.

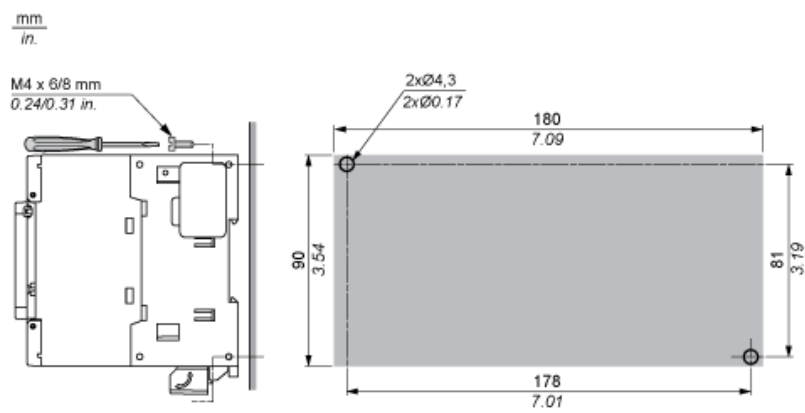
## Incorrect Mounting



## Direct Mounting On a Panel Surface

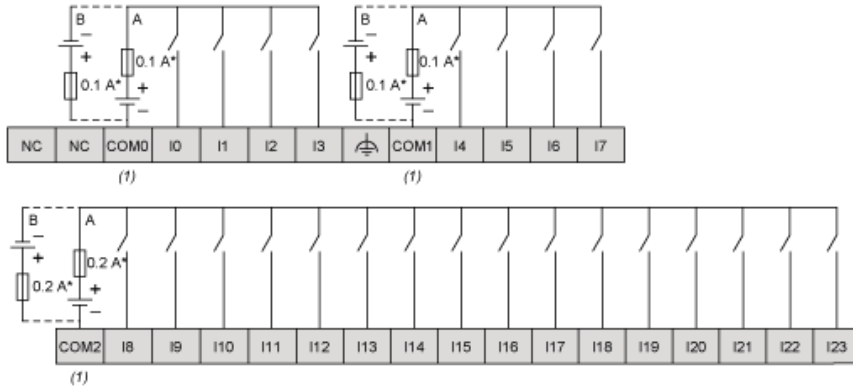
---

### Mounting Hole Layout



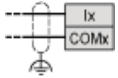
Digital Inputs

Wiring Diagram



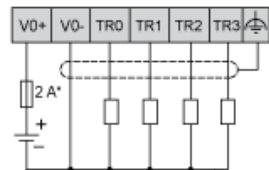
- (\*) : Type T fuse
- (1) : The COM0, COM1 and COM2 terminals are not connected internally
- (A) : Sink wiring (positive logic)
- (B) : Source wiring (negative logic)

Fast Input Wiring (I0...I7)



Fast Transistor Outputs

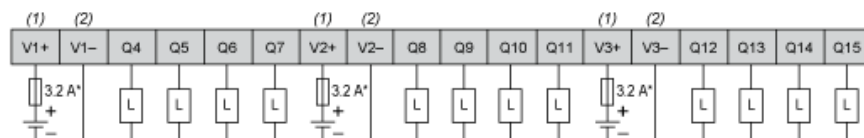
Wiring Diagram



- (\*) : 2 A fast-blow fuse

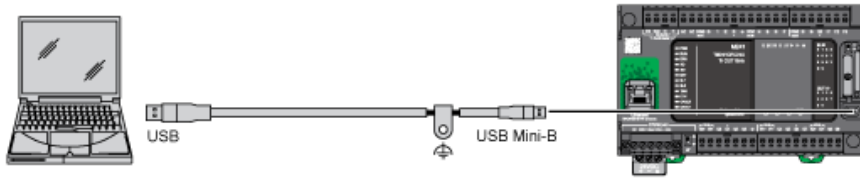
Transistor Outputs

Wiring Diagram



- (\*) : Type T fuse
- (1) : The V1+, V2+ and V3+ terminals are not connected internally.
- (2) : The V1-, V2- and V3- terminals are not connected internally.

USB Mini-B Connection



Product Life Status : **Commercialised**